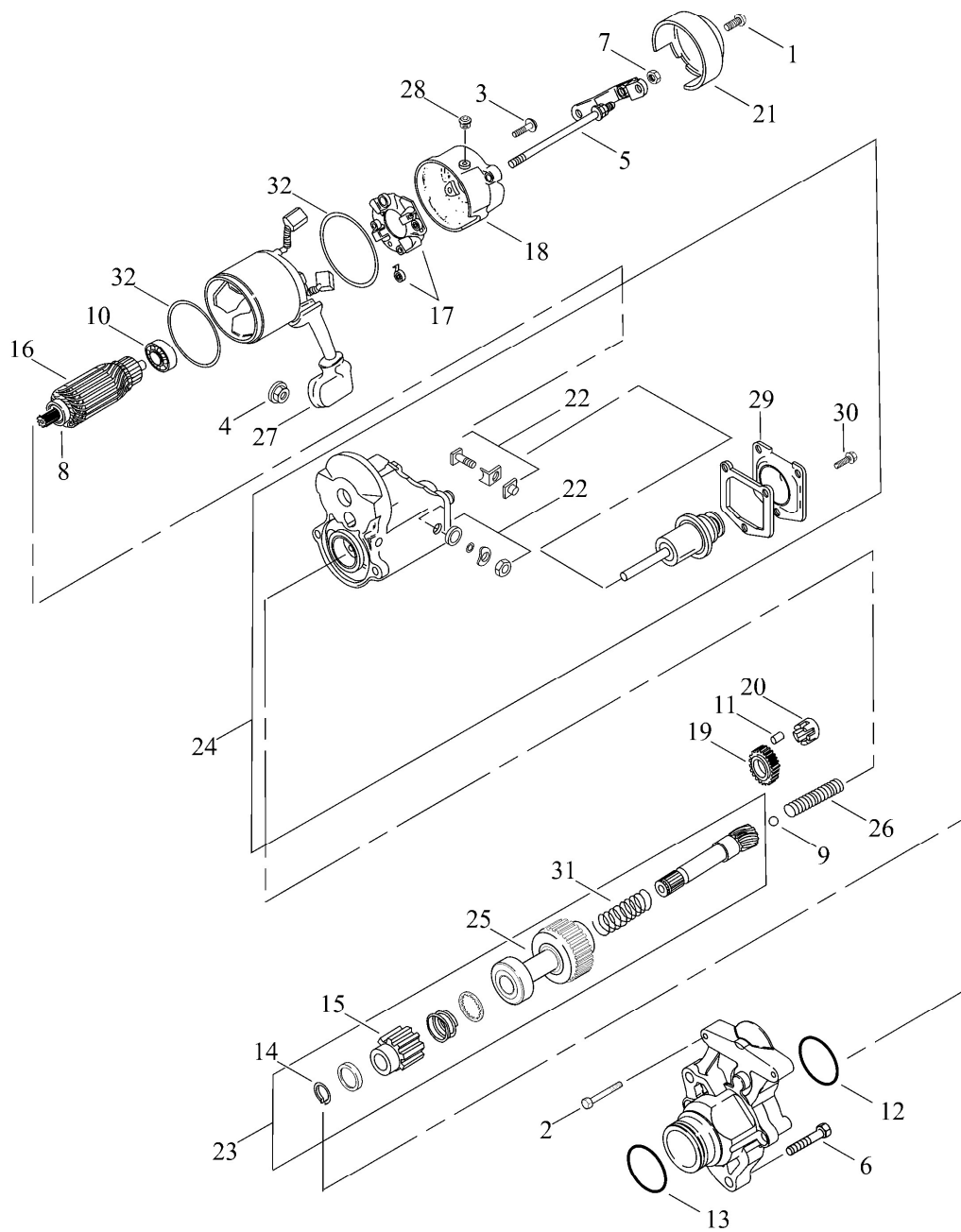


STARTER MOTOR



Ref #	Part Number	Qty.	Description
1	925	1	SCREW,HXSOC BUTTON
2	928	2	BOLT, STARTER, FXDS, XLH 1200
3	929A	2	SCREW
4	3403	1	NUT,FLANGE
5	3559	2	BOLT, STARTER, FXDS
6	4615	2	SCREW,HEX SCKT,SEMS/LOCK
7	7838	2	KEPS NUT,HEX
8	8871	1	BALL BEARING
9	8879	1	BALL
10	8883	1	BALL BEARING
11	9077	5	ROLLER, CLUTCH
12	11116	1	O-RING
13	27444-00Y	1	O-RING
14	31328-91	1	SNAP RING
15	31345-06	1	PINION GEAR, STARTER
16	31515-90	1	ARMATURE ASSY, FXDS, XL1200
17	31518-90	1	HOLDER ASSY, BRUSH, FXDSXLH120
18	31519-90	1	FRAME, STARTER END, FXDS
19	31525-90	1	GEAR, IDLER, FXDS, XLH-1200
20	31530-90	1	RETAINER, IDLER, FXDS,XLH1200
21	31535-91	1	COVER,STARTER MOTOR
22	31604-06	1	SOLENOID REPAIR KIT, HI OUTPUT
22	31618-06A	1	STARTER MOTOR,PNTD BLK
23	31633-07	1	CLUTCH STARTER SUB ASSY
24	31631-06	1	SWITCH ASSEMBLY, MAGNETIC
25	31681-07	1	CLUTCH, STARTER
26	31641-06	1	SPRING RETURN
27	31643-06	1	CAP, TERMINAL RUBBER
28	31660-90	1	DRAIN VENT
29	31688-90	1	SOLENOID COVER, FXDS, XLH1200
30	31689-90	3	BOLT WITH WASHER, FXDS, XL
31	31692-90	1	SPRING, FXDS, XL
32	31695-90	2	O-RING, YOKE